

THE ILLINOIS STATE TOLL HIGHWAY AUTHORITY

July 7, 2015

CONSTRUCTION BULLETIN No. 15-04

SUBJECT: Heavy-Duty Handhole Cover

Tollway Standard Drawing H4, Heavy-Duty Handhole and Buried Wiring Details has been revised, with the relevant changes noted below:

Note 2. Heavy-duty handhole shall be constructed in non-paved areas and its frame and cover shall be either:

- Neenah Foundry R-6662-PP with Type G lifting handle
- East Jordan Iron Works (EJ) No. 8213 with EPIC Pickbars
- Or approved equal.

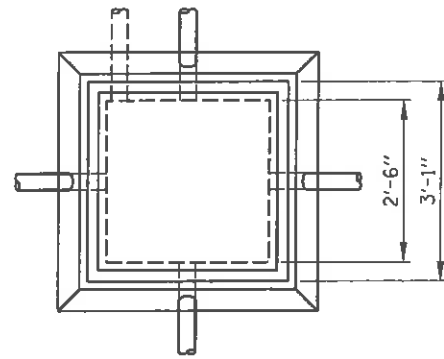
All design projects should include the revised Tollway Standard in the contract documents.
All construction projects shall allow the cover types noted above.



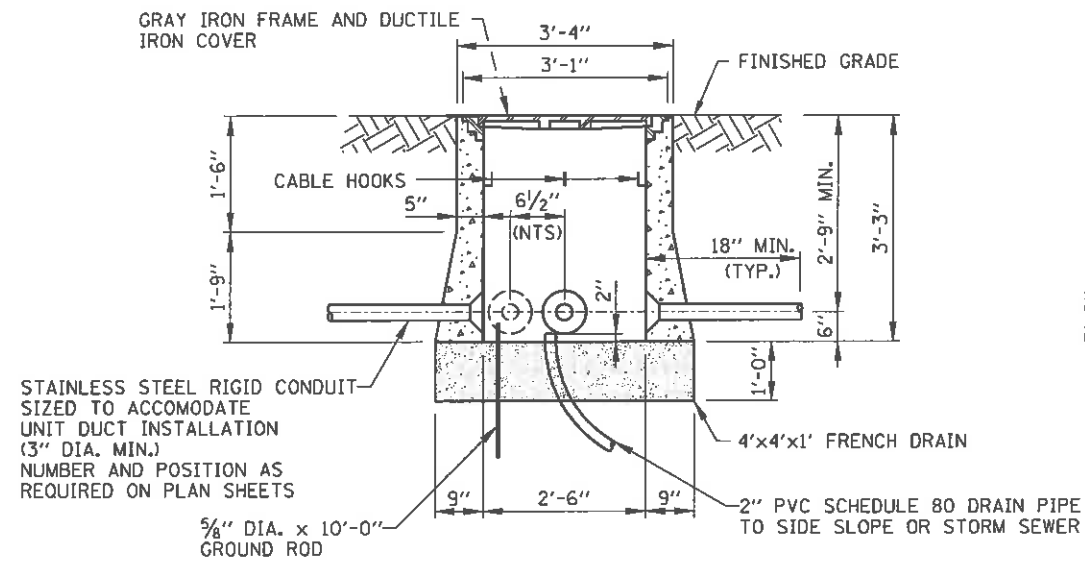
Paul D. Kovacs, P.E.
Chief Engineer



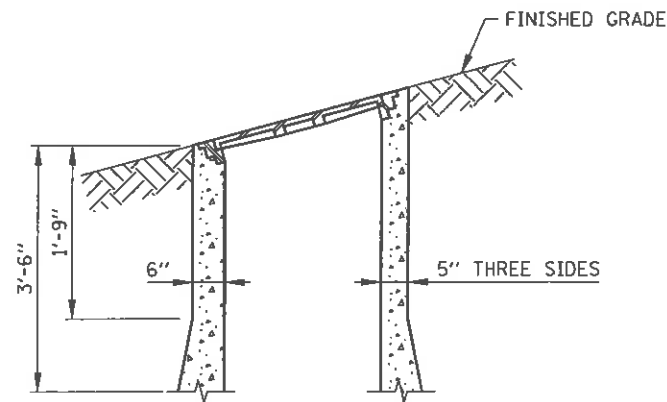
Date



PLAN



ELEVATION

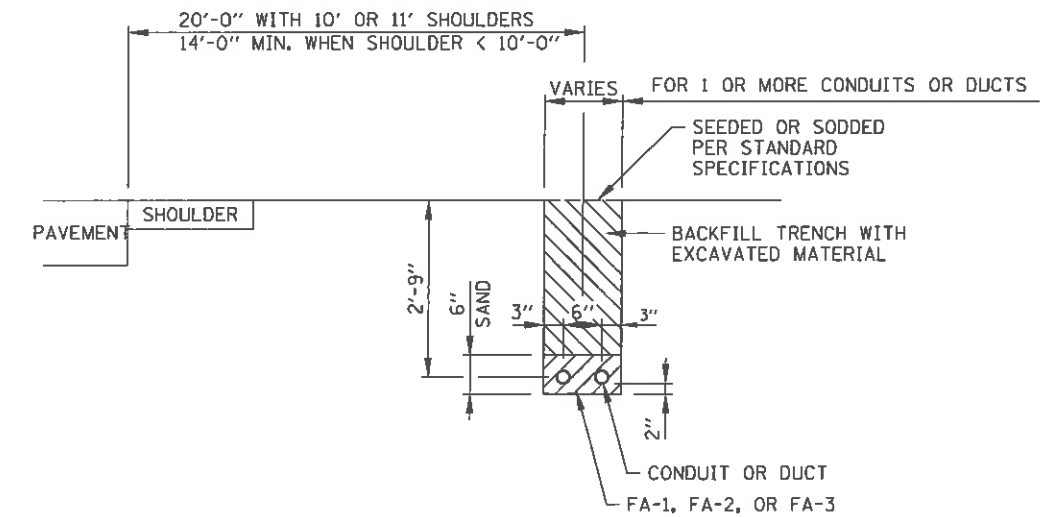


SLOPE INSTALLATION

HEAVY-DUTY HANDHOLE DETAILS

NOTES:

1. HEAVY-DUTY HANDHOLE LOCATED IN UNPAVED AREAS AND NOT SHIELDED BY GUARDRAIL SHALL BE CONSTRUCTED WITH THE TOP FLUSH WITH THE ADJACENT SLOPE.
2. HEAVY-DUTY HANDHOLE SHALL BE CONSTRUCTED IN NON-PAVED AREAS AND ITS FRAME AND COVER SHALL BE EITHER NEENAH FOUNDRY R-6662-PP WITH TYPE G LIFTING HANDLE OR EAST JORDAN IRON WORKS NO. 8213 WITH EPIC PICKBAR, OR APPROVED EQUAL.
3. AGGREGATE FOR FRENCH DRAIN SHALL BE PER ARTICLE 1003.04 OF THE STANDARD SPECIFICATIONS.
4. 10 FEET OF EXTRA CABLE SHALL BE COILED IN EACH HANDHOLE.
5. TRENCH AND BACKFILL FOR ELECTRICAL WORK SHALL BE INCLUDED IN THE COST OF THE UNDERGROUND RACEWAY AND WILL NOT BE MEASURED FOR PAYMENT.
6. ALL EQUIPMENT SHALL BE GROUNDED AND BONDED IN ACCORDANCE WITH THE NATIONAL ELECTRICAL CODE AND THE NATIONAL ELECTRICAL SAFETY CODE.



TRENCHING FOR CONDUIT IN NON-PAVED AREAS

APPROVED: *Paul Kovacs* CHIEF ENGINEER DATE 2-7-2012

DATE	REVISIONS
2-07-2012	MODIFY TRENCH DETAIL, NEW HANDHOLE. DETAILS AND REVISED NOTES.
3-11-2015	DELETED NON HEAVY-DUTY HANDHOLE.
7-7-2015	REVISED NOTE 2

Illinois Tollway

HEAVY-DUTY HANDHOLE AND BURIED WIRING DETAILS

STANDARD H4-03